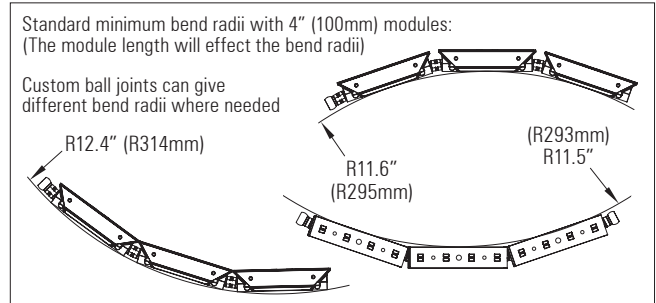
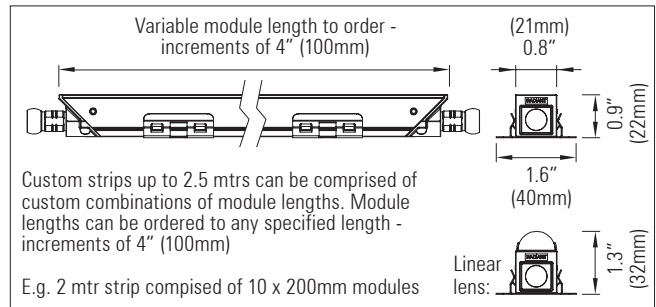


Euclid 20 Balljoint IP20 H.O. Class 2

High output version

Modular, 3D flexible LED linear lighting system



High output version - 160 x 0.2 Watt medium power LEDs per Mtr

Modular, 3D flexible LED linear lighting system

Product description:

For use in interior indirect lighting applications including cove lighting, wall grazing and wall washing where the building surfaces are non linear with curved profiles

Strips up to 8.3' (2.5 Mtrs) can be comprised of custom combinations of modules of any specified length - increments of 4" (100mm). E.g. a 2 Mtr strip comprised of 10 x 200mm modules. This allows the system to go seamlessly from a straight section directly into a curved section

160 x Luminus medium power 0.2 Watt LEDs per Mtr

Up to 11 Watts per ft (up to 35 Watts per Mtr)

Integral DC to DC low voltage linear drivers. Remote 24 V DC power supply

Continuous LED pitch across strips

Wide range of LED colour temperature and CRI options available

40° linear-lens is available

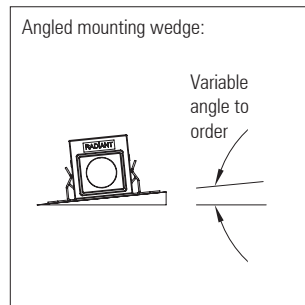
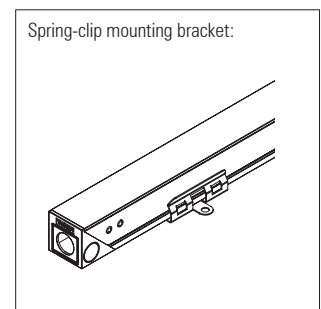
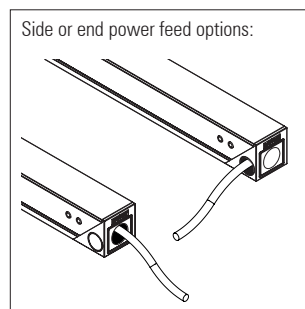
Mounting options include spring clips or custom bracket options

Various dimming options available: 1 - 10, DALI, DMX. Separate dimming channel

Side, end or back power feed and connector options allow for continuous lighting - Up to 26 ft (8 mtrs) can be lit from a single feed point. 16 Amp IP20 connectors join fixtures together on-site - the connectors fit inside the fixtures, allowing for continuous lighting

Black, white or any RAL paint colour finish

* Dynamic-white option does not use a colour mixing lens



Up to 1,000 lumens per ft
(Up to 3,500 Lumens per Mtr)

Product Code	No. of LEDs	IP	Length	LED Type	Optics (°)	Colour Temp. (K)	CRI	Cover	Fixing Type	Feed	Finish
EUCLID 20 BALLJOINT IP20 H.O.	16 LEDs per 4" (100mm): 1" (25mm) LED pitch between arrays of 4 LEDs	20	Modules: 4" (100mm) up to 8.3' (2500mm) - increments of 4" (100mm) (Specify length & quantity of modules)	0.2W LEDs: Luminus	120° 40° linear lens Optical film	27=2,700k 30=3,000k 35=3,500k 40=4,000k 45=4,500k 50=5,000k Dynamic white	80 90	Clear Frosted Opal	Spring-clip	End Back Side	Black White Any RAL-colour
									Custom		
									Wedge: Specify angle		